



GB

# LINKS

Rotator suspensions for forestry loaders and piece-goods cranes



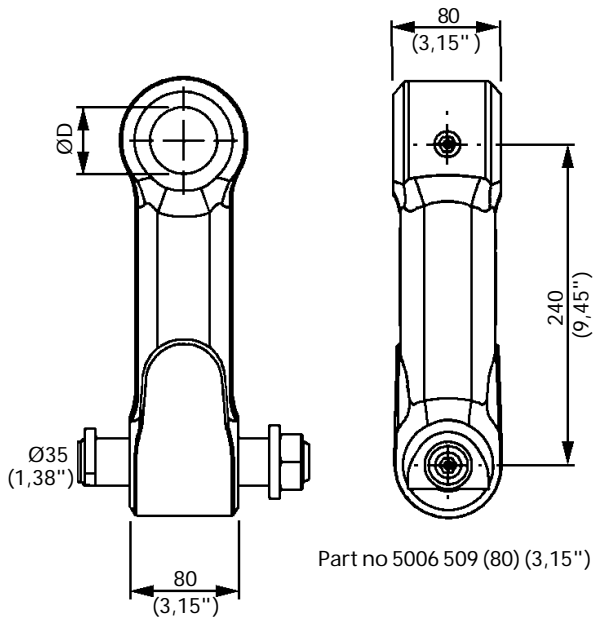
Indexator offer a wide range of standard links and swing damper links, with several different bushing alternatives. Suitable for all types of cranes and applications.

Our range of standard links are designed for use on cranes where no swing damping is required.

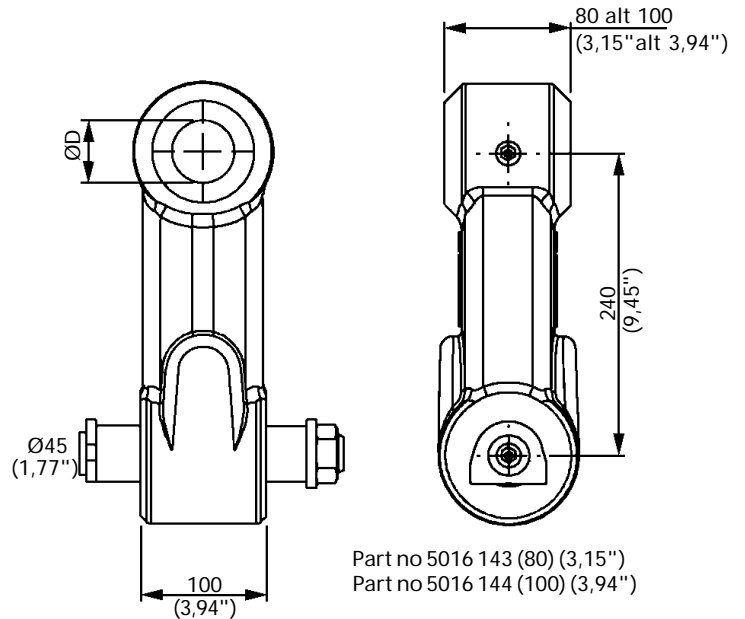
- Dual channelled lubrication in the pivot pin
- Increased operational life-time of the replaceable bushings
- New casting design, allows greater swinging angle.

# LINKS

**Link kit**



**Link kit -S**



Link sets are delivered with lower pivot pin and lower bushings included. Link is added with upper bushings as per chart.

Part No	Upper bushing Ø45 mm (D) (Ø1,77")			Upper bushing Ø40 mm (D) (Ø1,57")		Upper bushing Ø35 mm (D) (Ø1,38")			Ø30 mm (D) (Ø1,18") Composite	Ø25 mm (D) (Ø0,98") Composite
	Steel	Bronze	JM	Steel	Composite	Composite	Composite	Composite		
5006 509	2x1002 294	2x1003 193	2x5006 672	2x5002 468	5002 401	5002 402	5002 403	5002 404		
5006 143	2x1002 294	2x1003 193	2x5006 672	2x5002 468	5002 401	5002 402	5002 403	5002 404		
5016 144	2x1002 302	2x1005 503	2x5006 683	5002 467	2x5002 414					



Indexator AB, Box 11, S-922 21 Vindeln, Sweden  
Tel + 46 933 109 45, Fax + 46 933 108 57  
E-mail: sales@indexator.se

Sales and service:

Art Nr: 1029 958

1999 09 06