



GB

# SWING DAMPER

Reduce your grapple swing - less strain on your crane

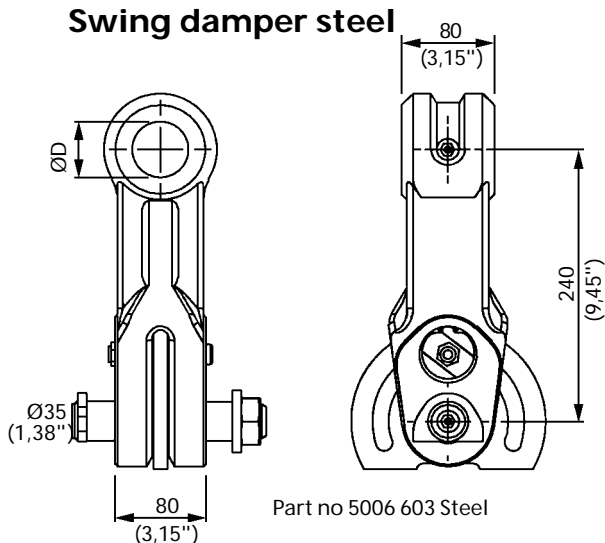


Indexator offers a wide range of standard links and swing damper links, with several different bushing alternatives. Suitable for all types of cranes and applications.

- Dual channelled lubrication in the pivot pin
- Increased operational life-time of the replaceable bushings
- New casting design, allows greater swinging angle.
- New braking system.
- More even wear of brake pads.
- Easy brake adjustment.
- Longer operating time between brake adjustments.
- Swingdamper in high strength alloy steel castings for tougher applications

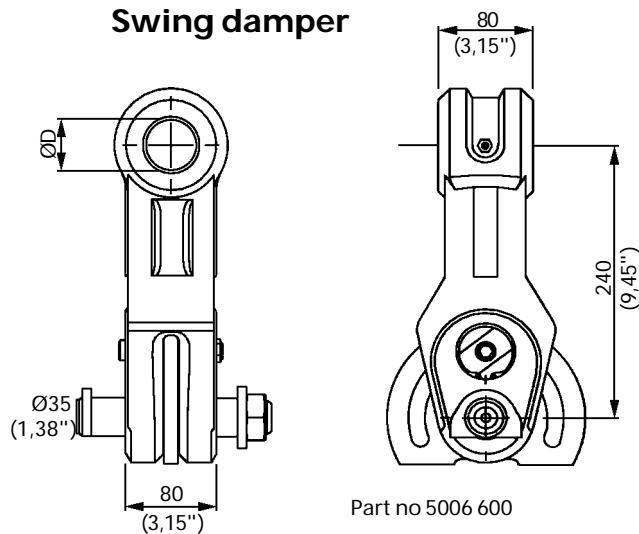
# SWING DAMPER

## Swing damper steel



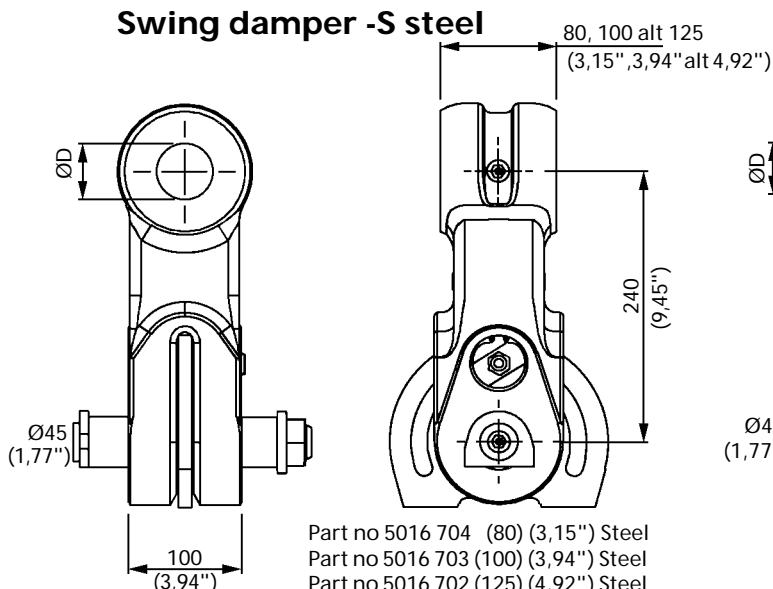
Part no 5006 603 Steel

## Swing damper



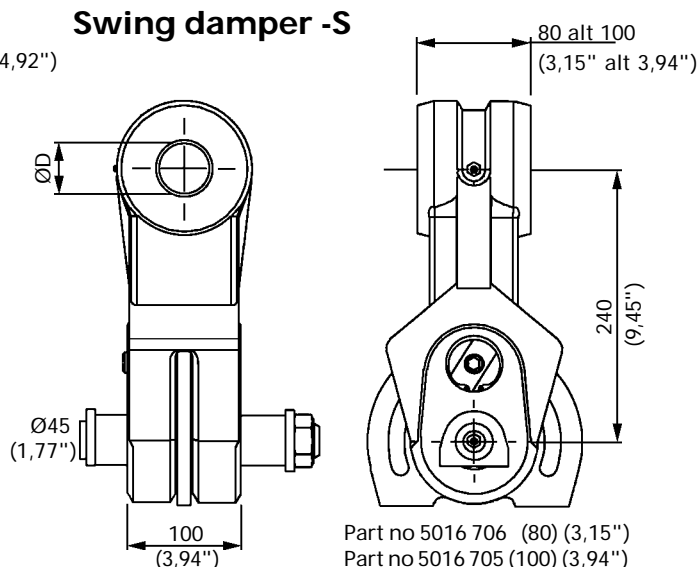
Part no 5006 600

## Swing damper -S steel



Part no 5016 704 (80) (3,15") Steel  
Part no 5016 703 (100) (3,94") Steel  
Part no 5016 702 (125) (4,92") Steel

## Swing damper -S



Part no 5016 706 (80) (3,15")  
Part no 5016 705 (100) (3,94")

Swing dampers are delivered with lower pivot pin and lower bushings included. The swing damper is added with upper bushings as per chart.

Part No	Upper bushing Ø45 mm (D) (Ø1,77")			Upper bushing Ø40 mm (D) (Ø1,57")		Upper bushing Ø35 mm (D) (Ø1,38")			Upper bushing Ø30 mm (D) (Ø1,18")		Upper bushing Ø25 mm (D) (Ø0,98")
	Steel	Bronze	JM	Steel	Composite	Composite	Composite	Composite	Composite	Composite	
5006 603	2x1002 294	2x1003 193	2x5006 672	2x5002 468	5002 401	5002 402	5002 403	5002 403	5002 403	5002 404	
5006 600	2x1002 294	2x1003 193	2x5006 672	2x5002 468	5002 401	5002 402	5002 403	5002 403	5002 403	5002 404	
5016 706	2x1002 294	2x1003 193	2x5006 672	2x5002 468	5002 401	5002 402	5002 403	5002 403	5002 403	5002 404	
5016 705	2x1002 302	2x1005 503	2x5006 683	2x5002 467	2x5002 414						
5016 704	2x1002 294	2x1003 193	2x5006 672	2x5002 468	5002 401	5002 402	5002 403	5002 403	5002 403	5002 404	
5016 703	2x1002 302	2x1005 503	2x5006 683	2x5002 467	2x5002 414						
5016 702		2x1003 896	2x5006 684								



Indexator AB, Box 11, S-922 21 Vindeln, Sweden  
Tel + 46 933 109 45, Fax + 46 933 108 57  
E-mail: sales@indexator.se

Sales and service: