



GB

# DUAL SWING DAMPER

Reduce your grapple swing - less strain on your crane



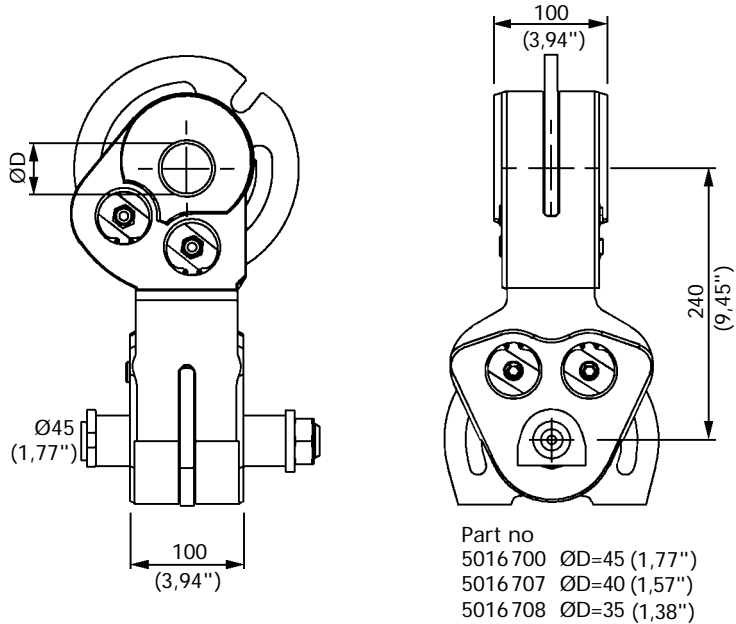
Indexators dual swing dampers with double brake system are designed for use in the toughest of forest applications.

All dual swing dampers are manufactured in high strength alloy steel castings and are delivered with bushings and lower pivot pin included.

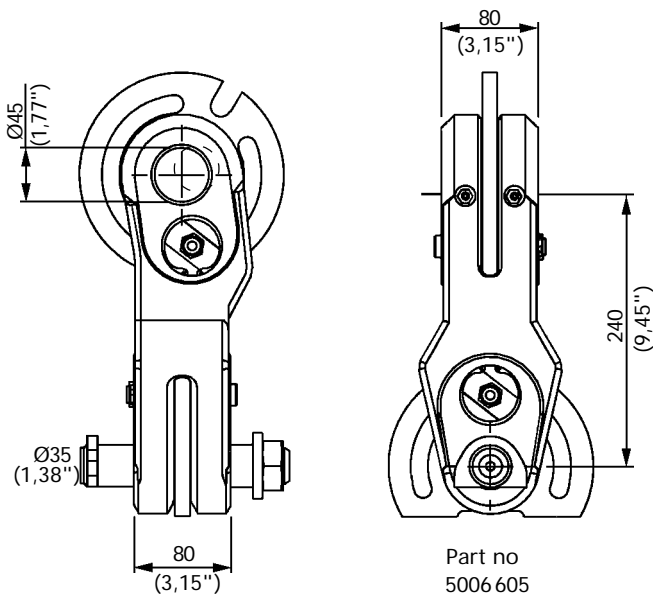
- New braking system.
- More even wear of brake pads.
- Easy brake adjustment.
- Longer operating time between brake adjustments.
- Dual channelled lubrication in the pivot pin
- Increased operational life-time of the replaceable bushings

# DUAL SWING DAMPER

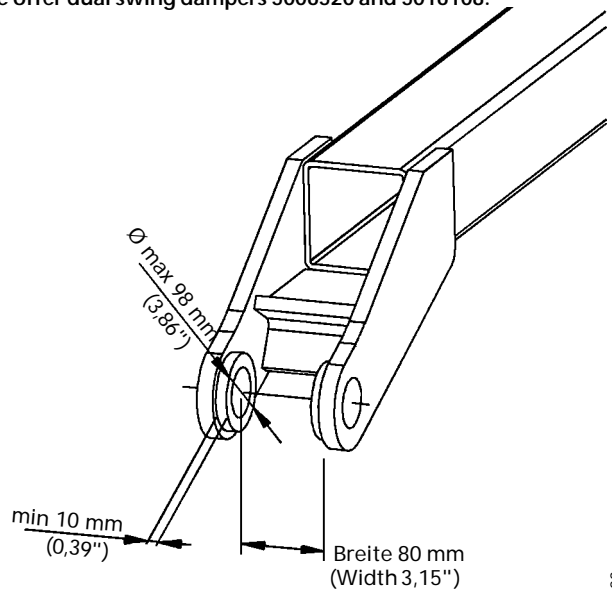
## Dual swing damper -S steel



## Dual swing damper -80 steel



Conditions for assembling dual swing dampers width 80mm toward crane tip. For crane tips without minimum 10mm spacers, we offer dual swing dampers 5006520 and 5016108.



Indexator AB, Box 11, S-922 21 Vindeln, Sweden  
 Tel + 46 933 109 45, Fax + 46 933 108 57  
 E-mail: sales@indexator.se

Sales and service: